

**M50 K12 PAS68 CRASH TEST RATED TELESCOPIC
SHALLOW MOUNT HYDRAULIC BOLLARD BARRIERS**





MADOORS SYSTEM TELESCOPIC SHALLOW MOUNT BOLLARDS

2 YEARS WARRANTY

HIGH SECURITY TELESCOPIC BOLLARD BARRIER SYSTEMS

HYDRAULIC OR ELECTRO-MECHANICAL , MANUAL TYPES

HOT GALVANIZED COVERING OR STAINLY STEEL BODY

EUROPE AND USA NORM PRODUCTS

GERMANY TECNOLOGİES SIEMENS ELECTRIC ENGINE AND SPEED INVERTOR

COMPLATE SIEMENS AUTOMATION ELECTRIC CONTROL BOX

NORMALLY BODY AND K12-PAS68 N3 CRASH TESTED STRONG BODY





BEST EXPERIANCE

- *DIRECT MANUFACTURING COMPANY*
- *YEARS EXPERIENCE*
- *ENGINEERING COMPANY*
- *100% TURKISH PRODUCTION*
- *ECONOMIC PRICE ADVANTAGE*



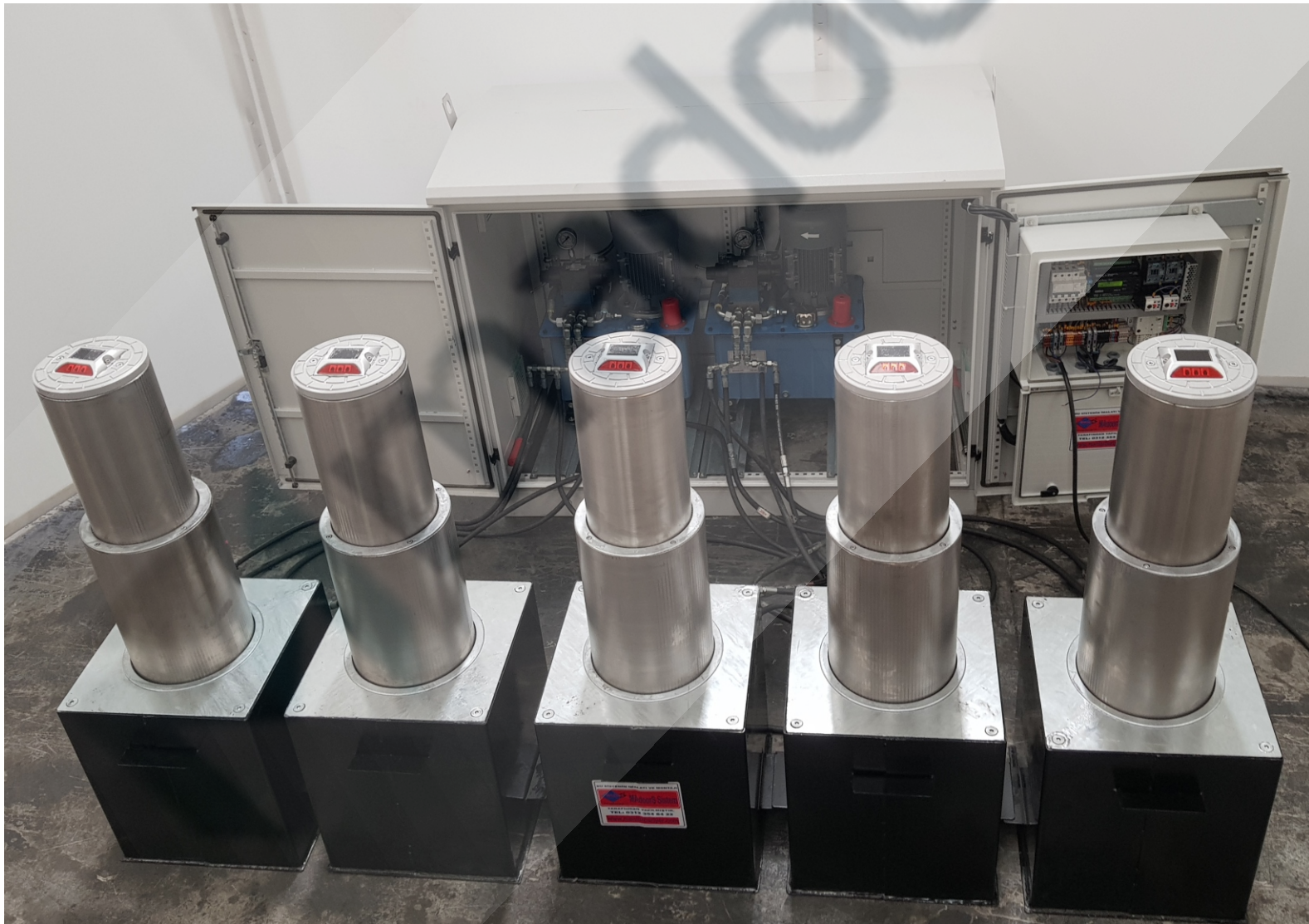


PRODUCT OVERVIEW

The MAdoors Systems Shallow mount bollard is unique in the market place and one of the shallowest, automatic bollard solutions for this level of security protection. This latest innovation in technology allows the use of automatic bollards for high security solutions to be installed in areas where underground services or a lack of space for excavation may cause a problem. The Madoors Shallow Mount stands one metre tall yet only requires 500-750mm foundation, significantly less than usual high security retractable bollards.

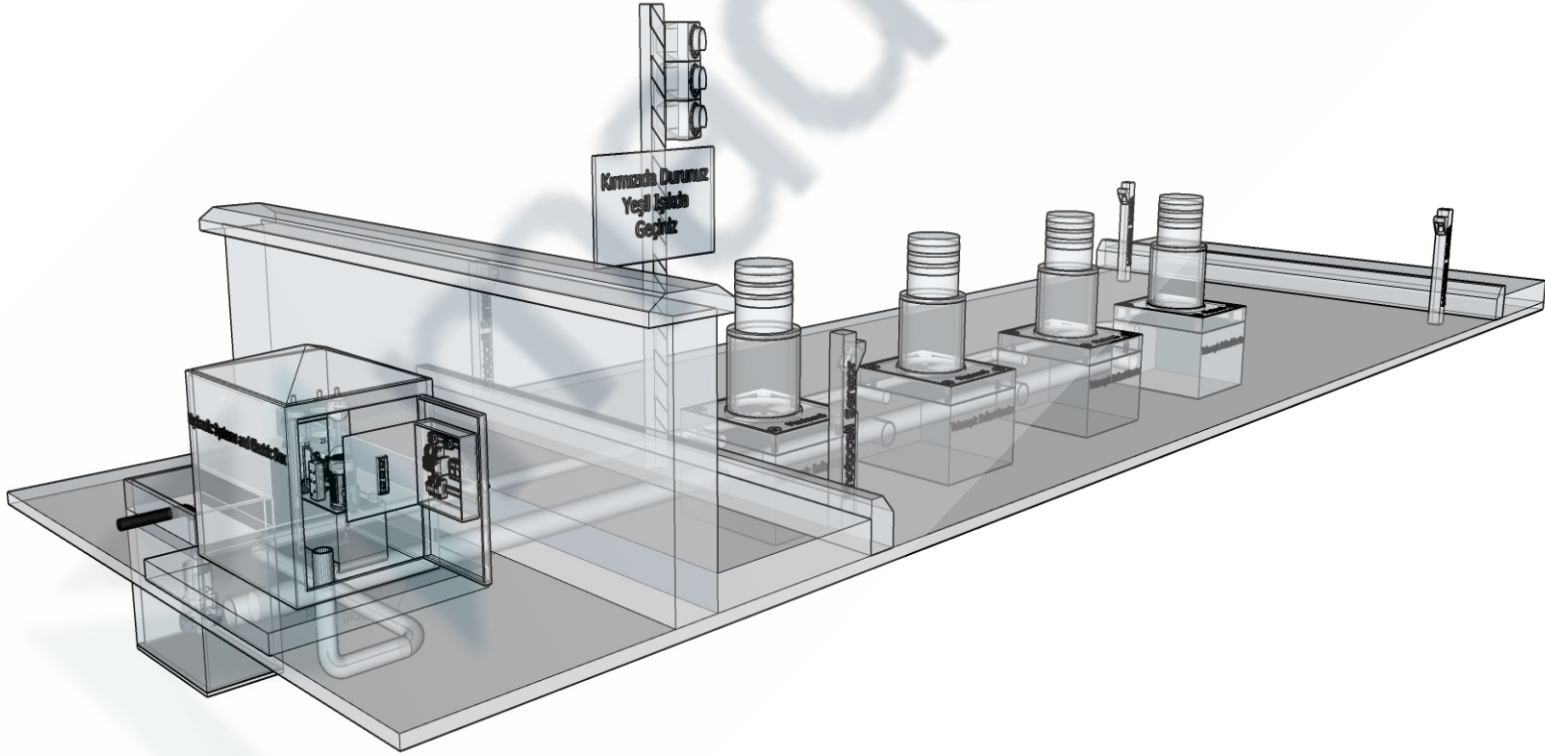


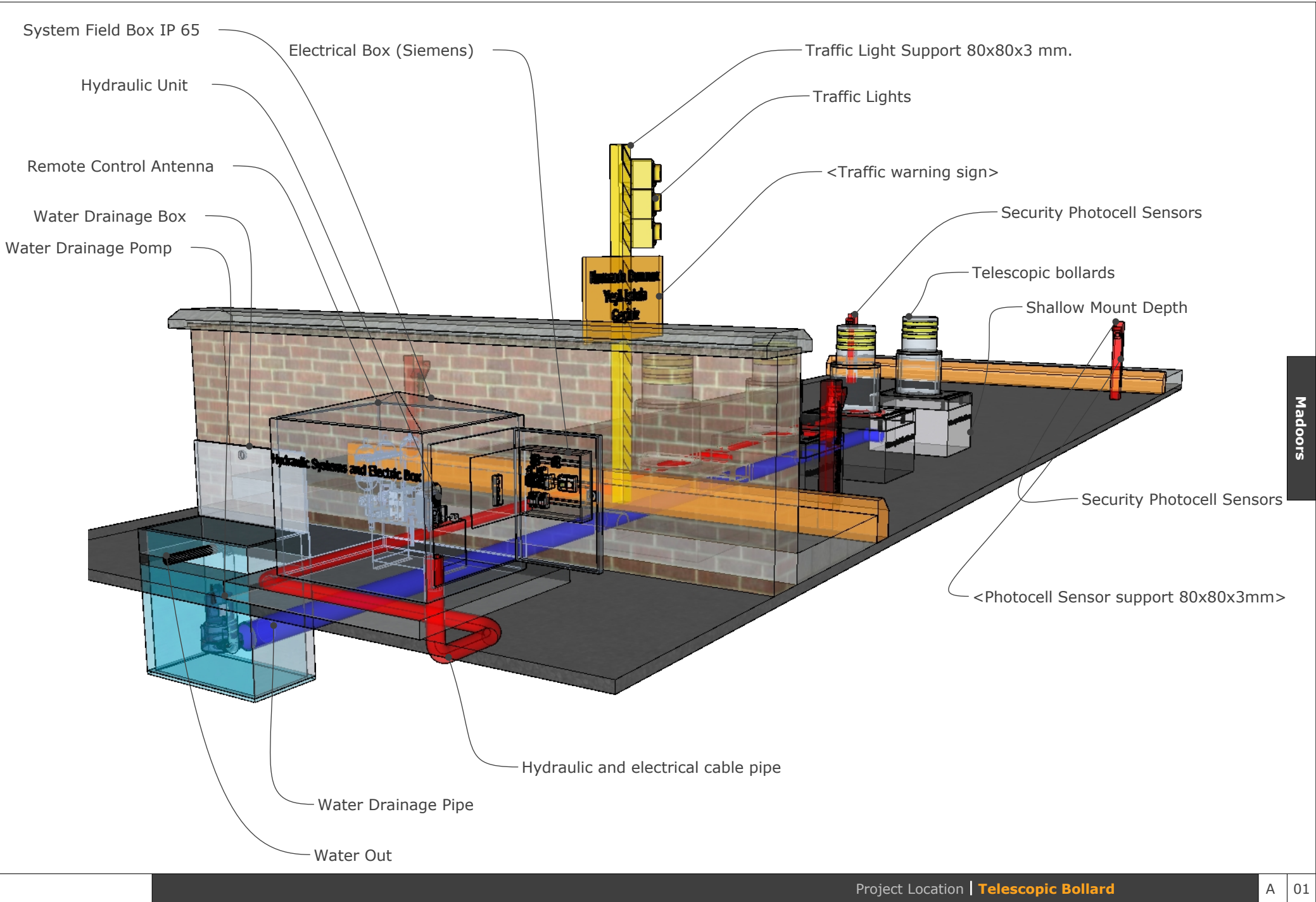
The MAdoors System Shallow mount bollard has a unique double retractable design which ensures smooth operation and acts as a depth saving feature. The product has been successfully impact tested in accordance with M50 K12 PAS68 arresting a 7,500kg truck at 80 km/h and with less than 1m penetration

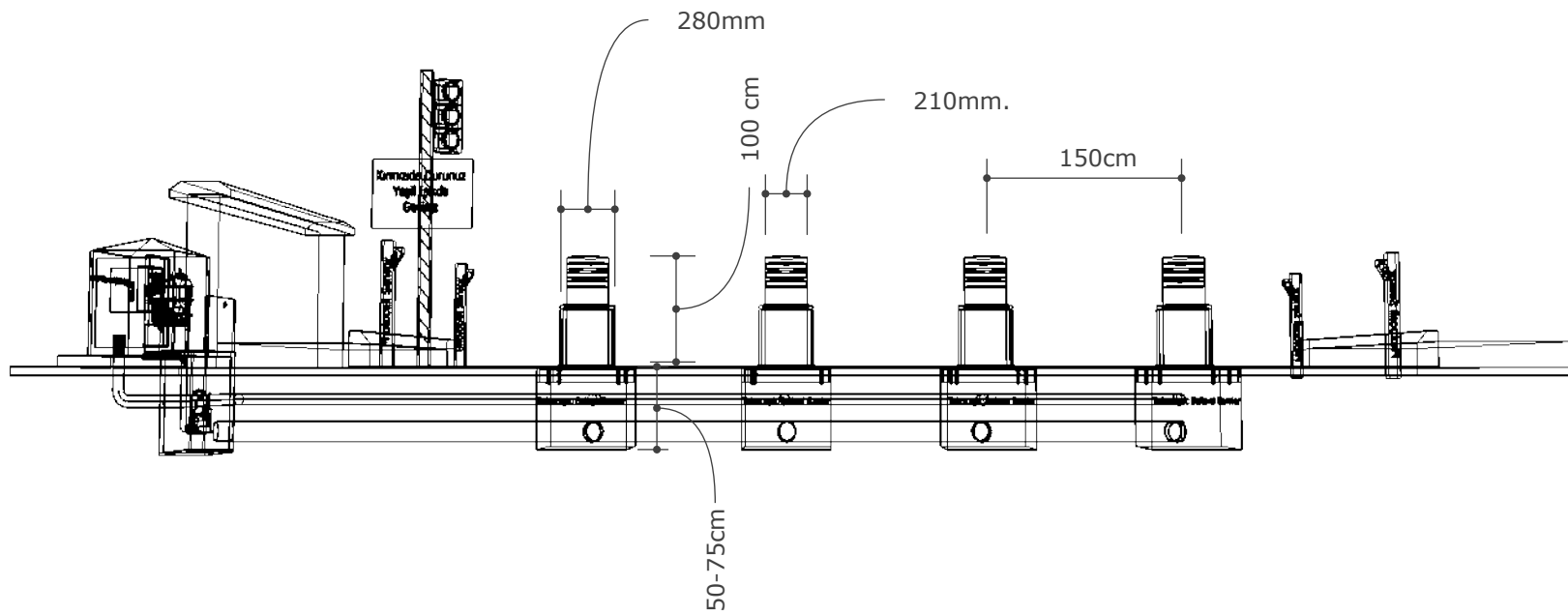


SHALLOW MOUNT BOLLARD HIGH SECURITY BOLLARD STATISTICS

BOLLARD DIAMETER	210mm (top) 280mm (bottom)
CASING DIAMETER	722mm x 481mm
HEIGHT ABOVE GROUND	1000mm
FOUNDATION DEPTH	900mm
FINISHES AVAILABLE	Black , Yellow , Stainless steel
SECURITY RATING	M50 K12 PAS68 7500 KG. 80 KM/h







CE

Certificate

UYGUNLUK SERTİFİKASI CERTIFICATE OF CONFORMITY



Firma Adı : Madoors sistem Güvenlik Makina Elektrik İnşaat Taah.Tic. LTD.ŞTİ.
(Company Name)

Adres : Ostim İş Merkezleri D-Blok No:33/16 Ostim / Yenimahalle / ANKARA
(Address)

Ürün Tanımı : Teleskopik Mantar Bariyer
(Product Description) : Telescopic Bollard

Ürün Markası / Tipi / Seri No : Madoors System / Safe
(Product Brand / Type / Serial No)

Referans Yönetmelik(ler) : 2006 / 42 / AT Makine Emniyet Yönetmeliği Ek-1
(Reference Directive(s)) : 2006 / 42 / AT Machinery Safety Directive Annex-1

Referans Standart(lar) : TS EN 13241:2003+A2:2016, TS EN 12453:2004
(Reference Standard(s)) TS EN 60204-1:2011/A1:2011, TS EN ISO 12100:2011

Tarih : 01.01.2018
(Date)

Standart Applied
(Standartlar Uygulandı)

Biz “Madoors sistem Güvenlik Makina Elektrik İnşaat Taah.Tic. LTD.ŞTİ.” olarak Yukarıda belirtilen ürünlerimizin 2006 / 42 / AT Makine Emniyet Yönetmeliği direktiflerine uygun olduğunu beyan ederiz.

We “Madoors sistem Güvenlik Makine Elektrik İnşaat Taah.Tic. LTD.ŞTİ.” hereby declare that specified above conforms covering directive 2006 / 42 / AT Machinery Safety Directive

İmza-Kaşe / Sign-Stamp
Genel Müdür (General Manager)
Murat TAŞKIRAN

MADOORS SİSTEM GÜVENLİK MAKİNA
ELEKT.İNŞ. TAAH.SAN.TİC.LTD.ŞTİ.
Ostim İş Merkezleri D-Blok No 33/16
Tel:0312 354 6421 Yenimahalle/ANKARA
Ostim Vergi Dairesi No:33/16/022 Tic Sic No 232947
Mersis No:0833 2865 8495 8422

Tarih / Date : 01.01.2018

