

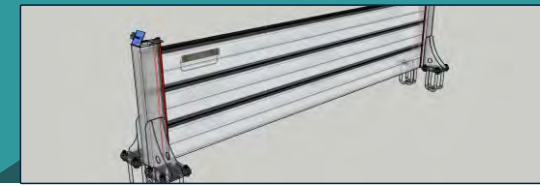
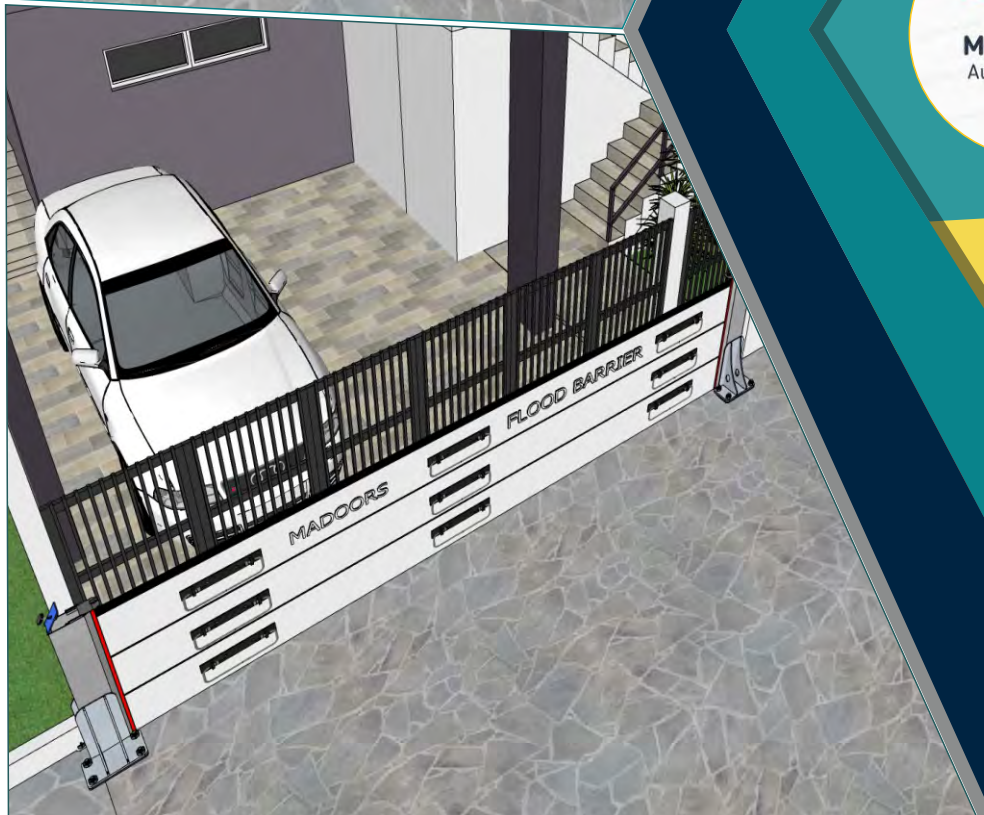
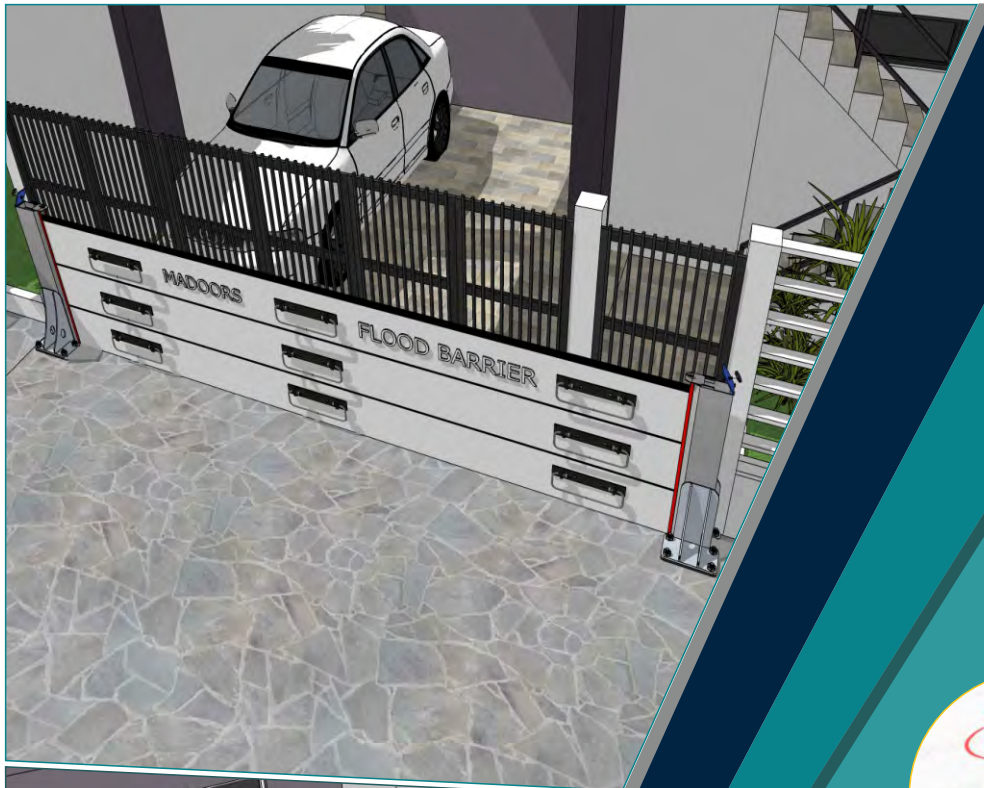
# FLOOD BARRIER

Madoors flood gates

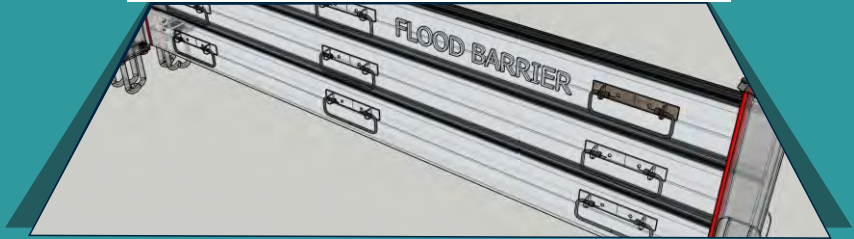


- .Manual flood gates
- .Easy setup
- .Lake proof rubber
- .Aluminum-steel component





# Madoors

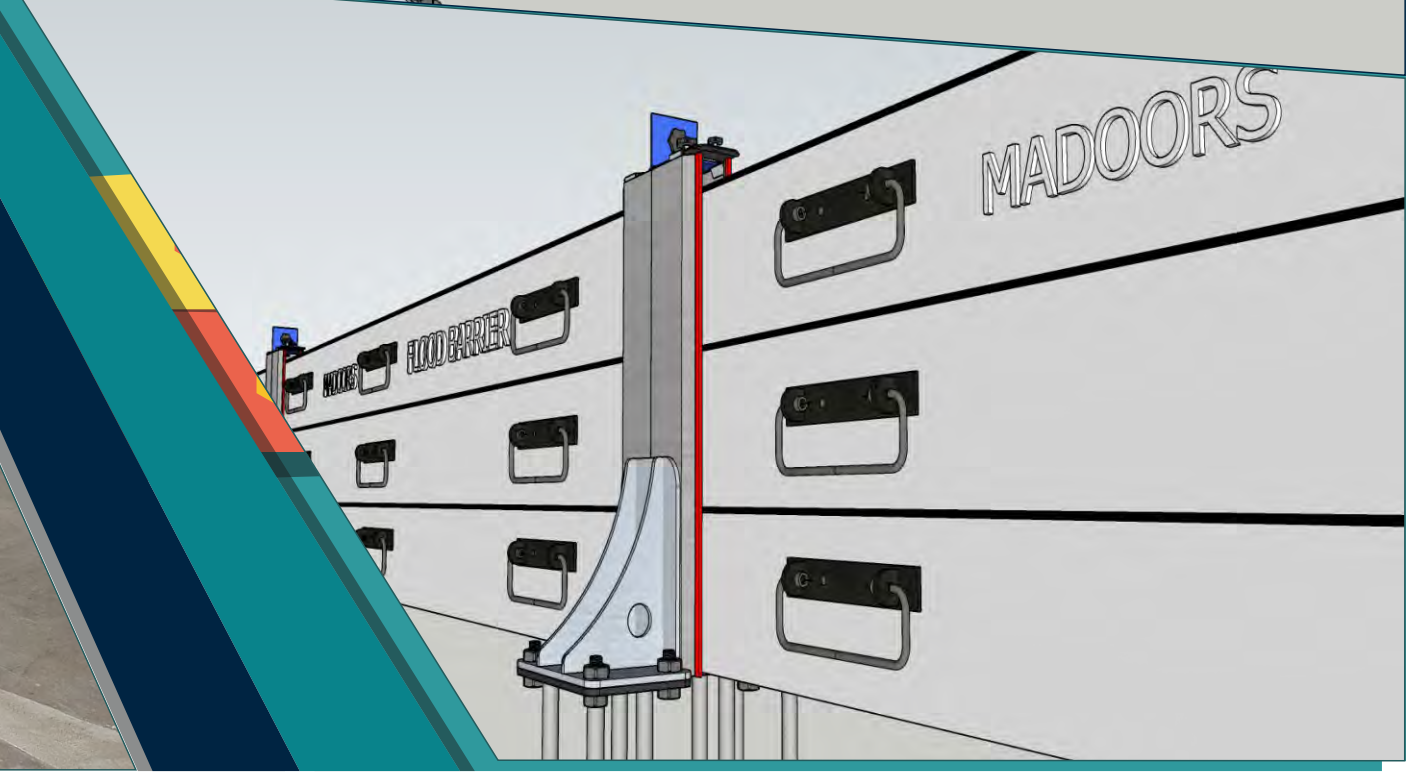
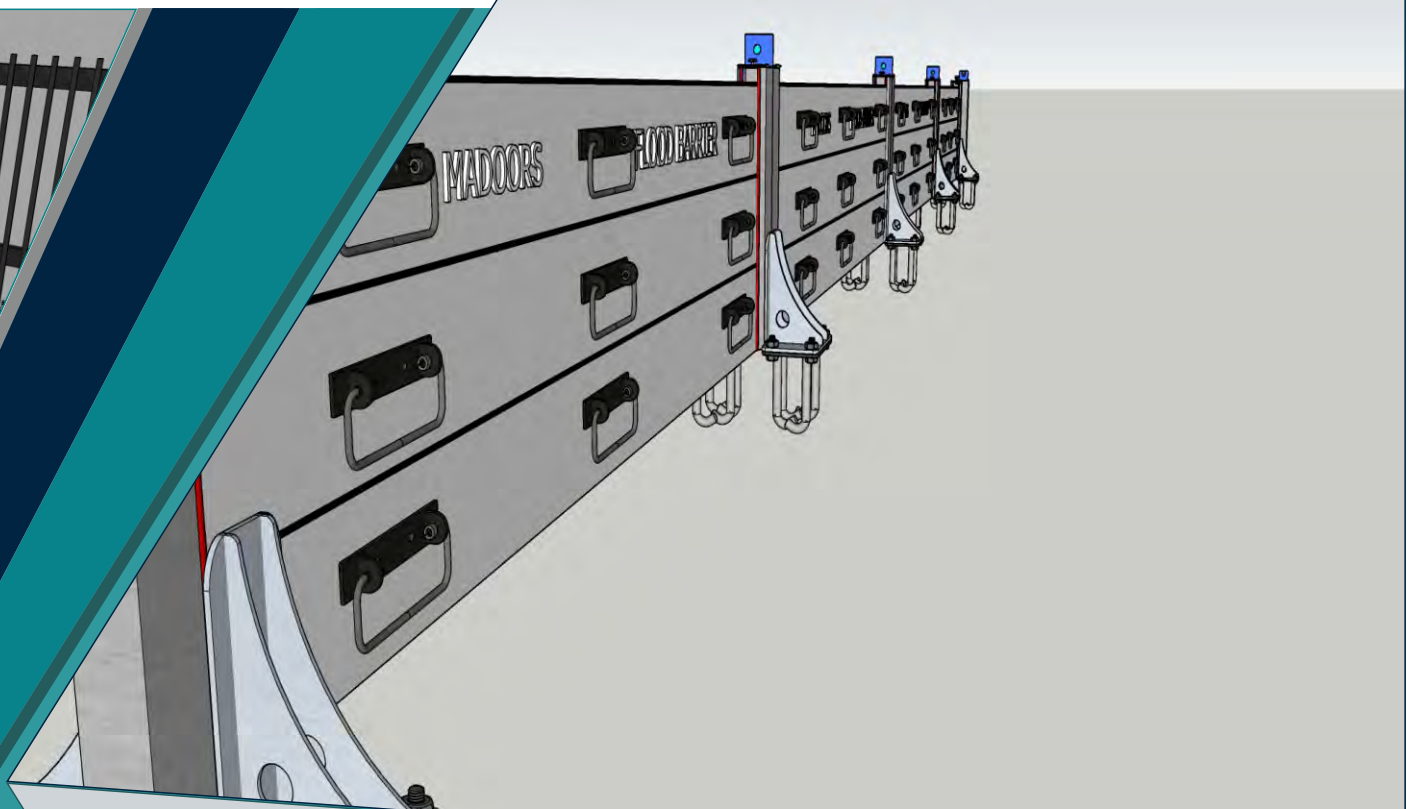


**1** Institution , Hospital , Universty , Factory , Company at the entrances

**2** Madoors manufacturer company

**3** %100 safety flood barrier





Low cost flood barrier system.

Lightweight - sections allow safe lifting of 3mt-5mt beams by one person for rapid deployment.

Flexibility – barrier can be configured to any geometry.

High strength – single 'stop-log' beams can span up to 3m unsupported.

Spans up to 6m possible with optional back-braces.

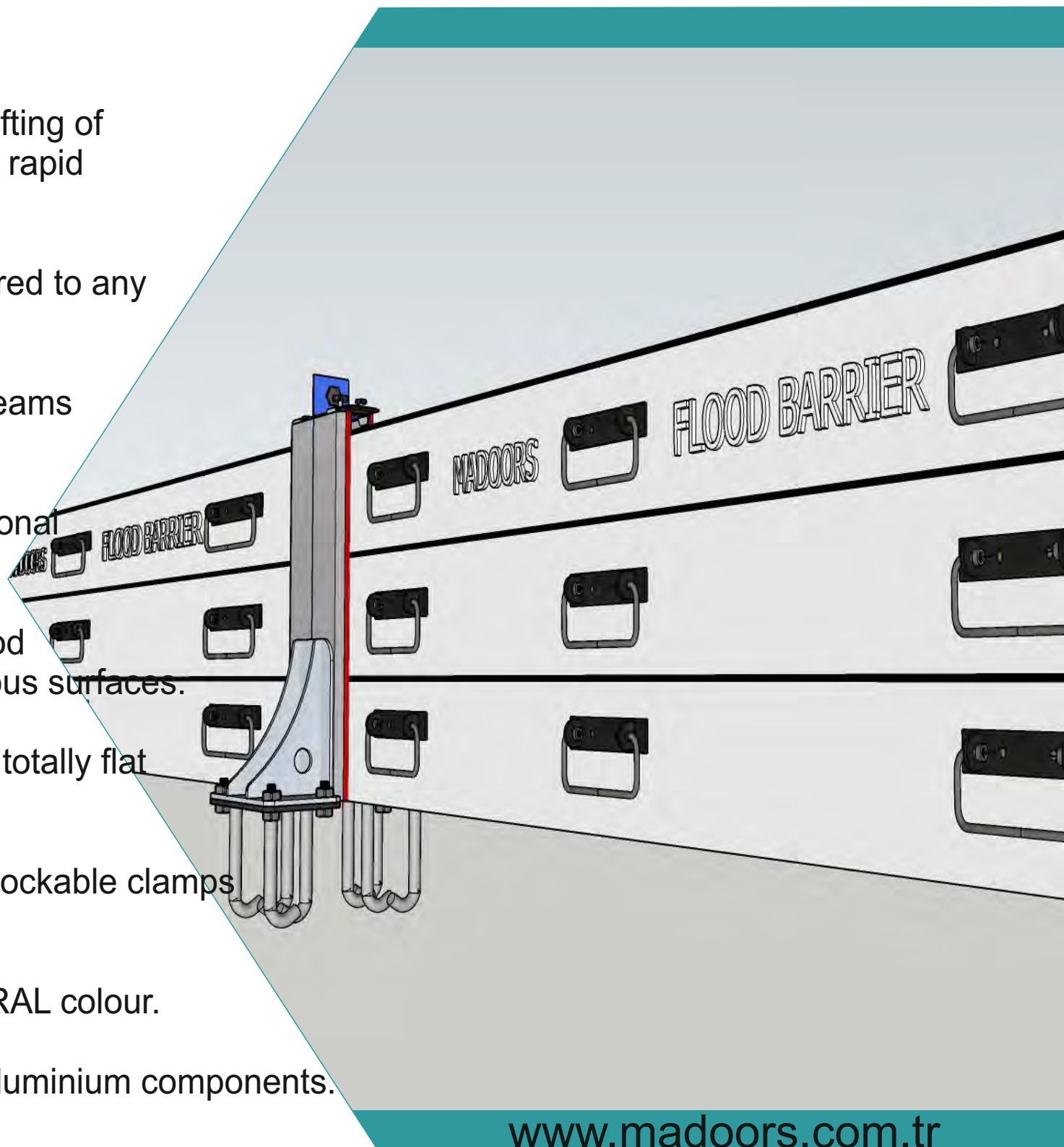
Choice of bottom seals - allow flood barriers to sit on existing non-porous surfaces.

Completely removable - leaving a totally flat ground surface.

Vandal resistant - covers and padlockable clamps available.

Able to be powder coated to any RAL colour.

Long life - using galvanized and aluminium components.





# Flood Barriers

## Madoors

### USES

Single building apertures.

Openings in flood walls.

Stainless/ aluminium system for marine environments.

Fully removable perimeter defence to buildings.

A 'usually stored' system for erection when flood warnings received.

A 'usually erected' system for full time flood defence until access required.



## REMOVABLE FLOOD BARRIERS

Our removable flood barriers (or 'demountables') are engineered to provide similar levels of protection to permanent flood defences, but with the advantage of being fully removable when not required.

They can be supplied for virtually any configuration including arcs, closed rectangles or circles and straight runs of any length. The portable flood barrier design can be used on slopes up to 20° and can be stepped for steeper gradients.

This makes our demountable flood barriers ideal for building openings or as a continuous flood wall.

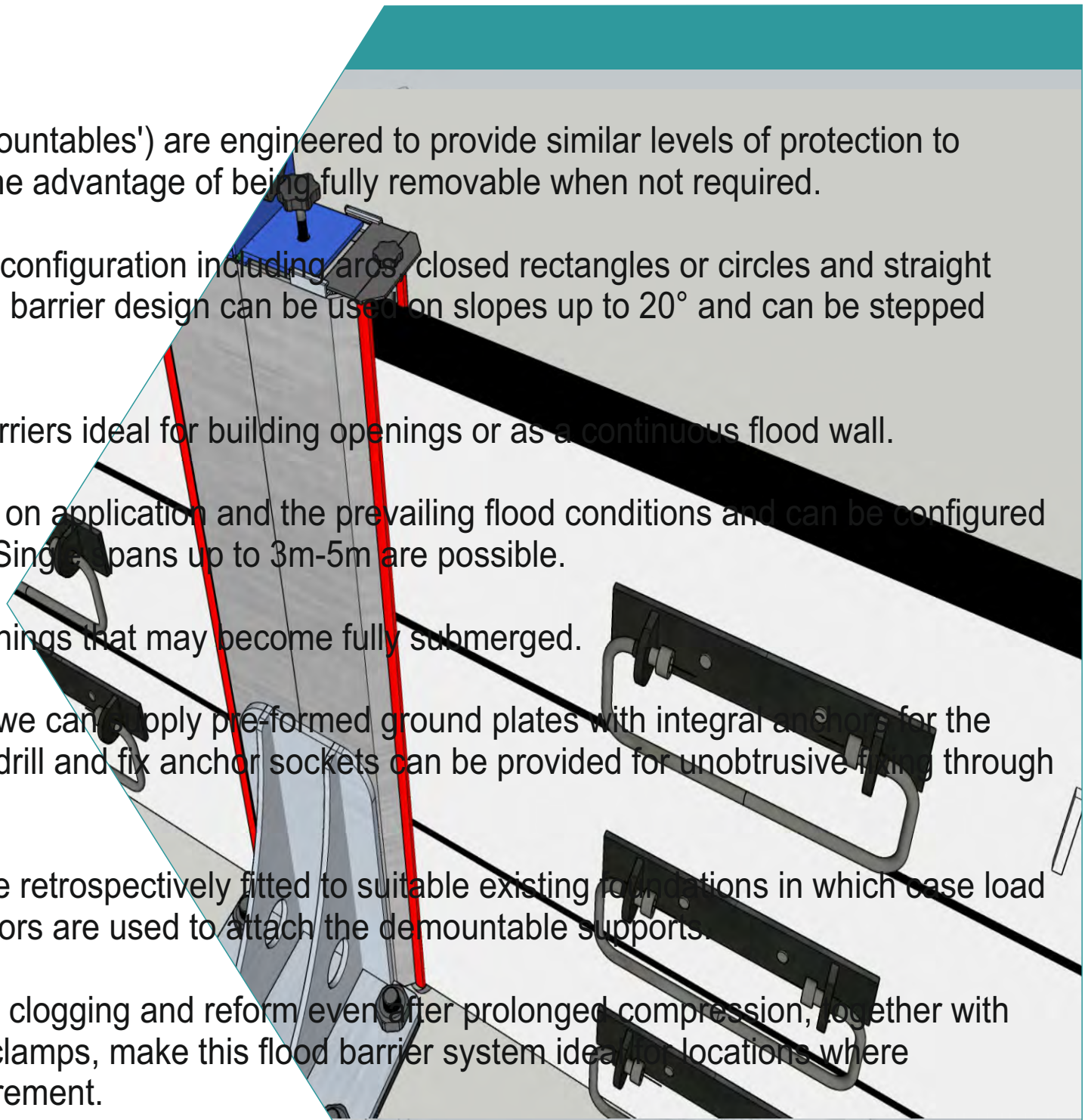
Each system is load calculated based on application and the prevailing flood conditions and can be configured for flood protection heights up to 4m. Single spans up to 3m-5m are possible.

A four-sided detail is available for openings that may become fully submerged.

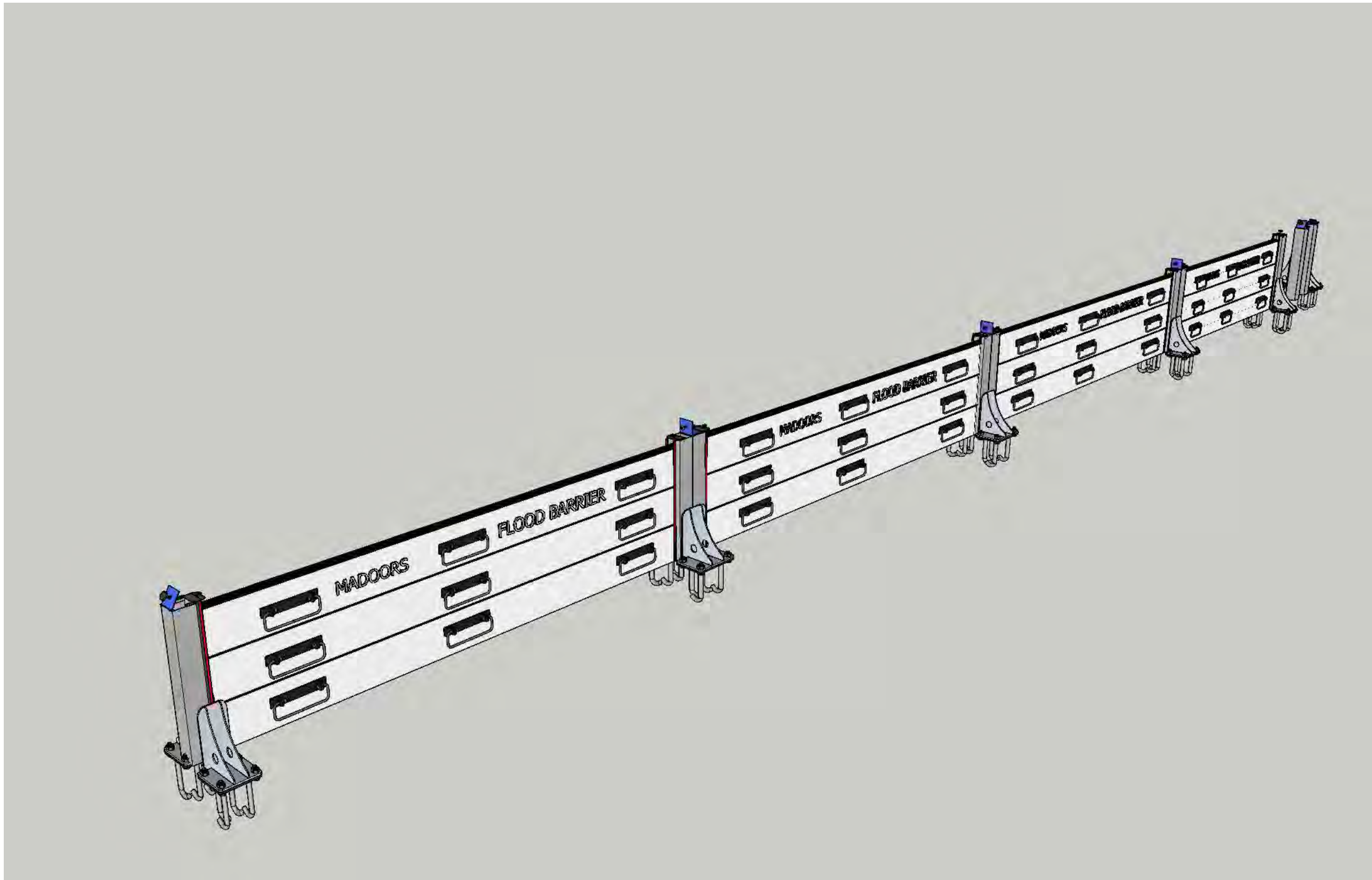
To facilitate installation in new builds, we can supply pre-formed ground plates with integral anchors for the demountable supports. Alternatively, drill and fix anchor sockets can be provided for unobtrusive fitting through finished paving.

Our demountable flood barriers can be retrospectively fitted to suitable existing locations in which base load certified, chemically fixed sleeve anchors are used to attach the demountable supports.

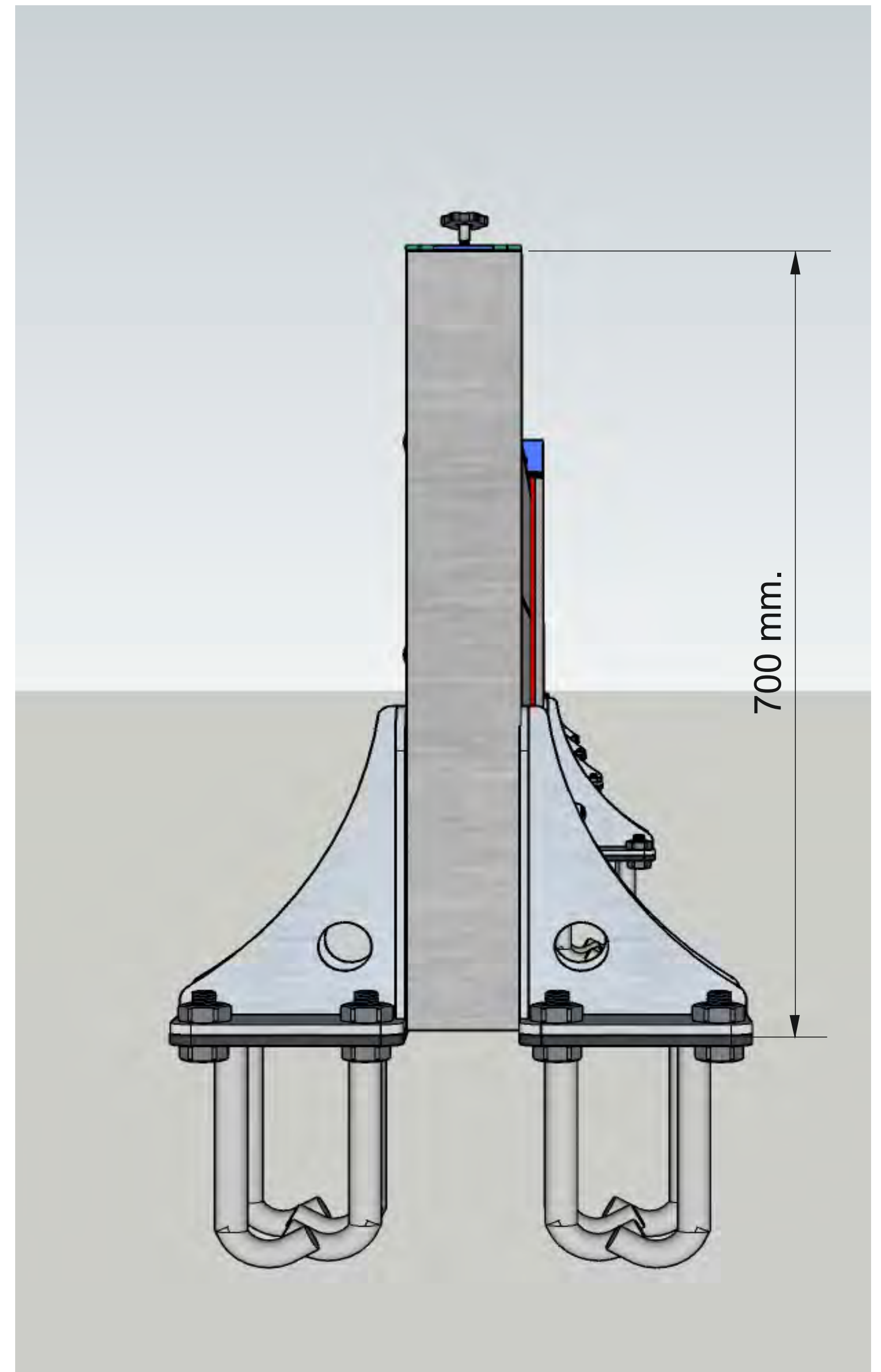
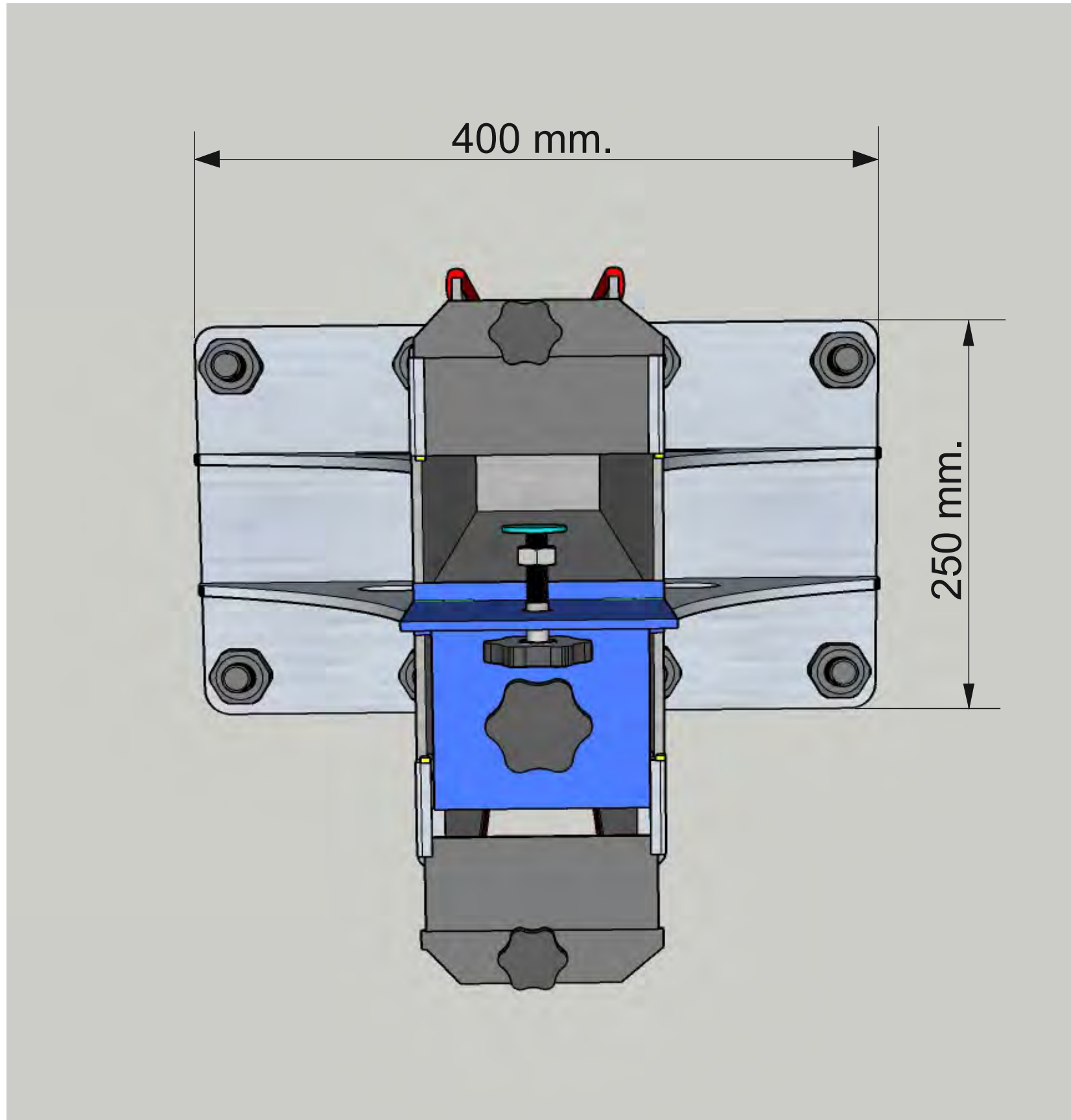
Purpose designed seals that resist silt clogging and reform even after prolonged compression, together with vandal resistant covers and lockable clamps, make this flood barrier system ideal for locations where semi-permanent installation is a requirement.



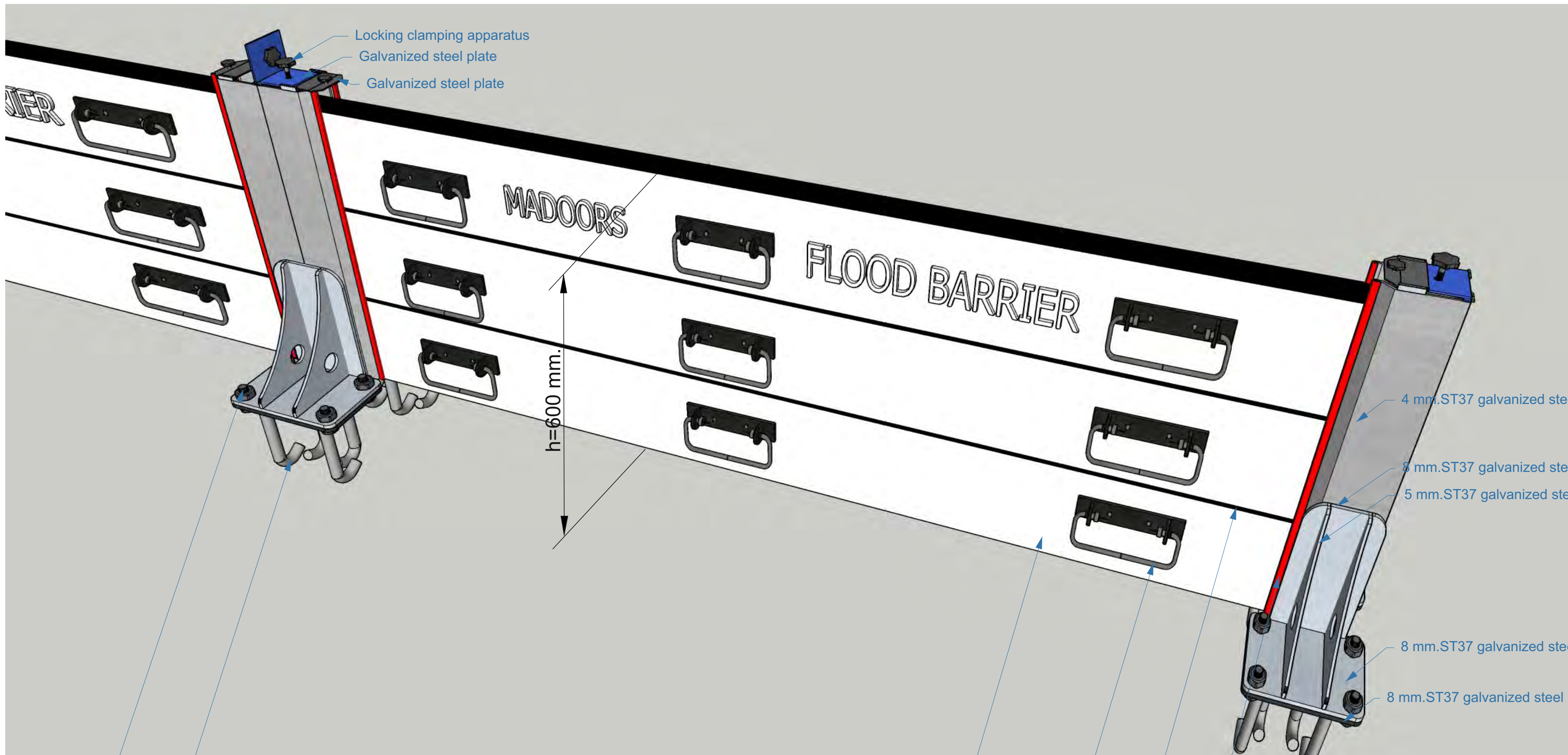




REVISIONS	
MM/DD/YY	REMARKS
1	---/---/--- ...
2	---/---/--- ...
3	---/---/--- ...
4	---/---/--- ...
5	---/---/--- ...







M 12 Concrete support galvanized steel

M 12 Stainless galvanized screw

Leak proof rubber

Leak proof rubber

Galvanized steel handle

Aluminum panels