





<i>DAB-ES-2002 Industrial Drop Arm Barrier Code</i>	<i>Drop Arm Clearly Lenght</i>
EKB-30	300 cm.
EKB-40	400 cm.
EKB-50	500 cm.
EKB-60	600 cm.
EKB-80	700/800 cm.

The Madoors barriers of the series "DAB-ES-2002" are designed for access control of parking garages and car parks. Perfect running performance, achieved by electronic speed control and optimized mechanics, protect motor and gear. An efficient drive concept with a powerful 24/220/380 V BLDC-gear and robust components ensure intensive operation with 100% duty cycle.

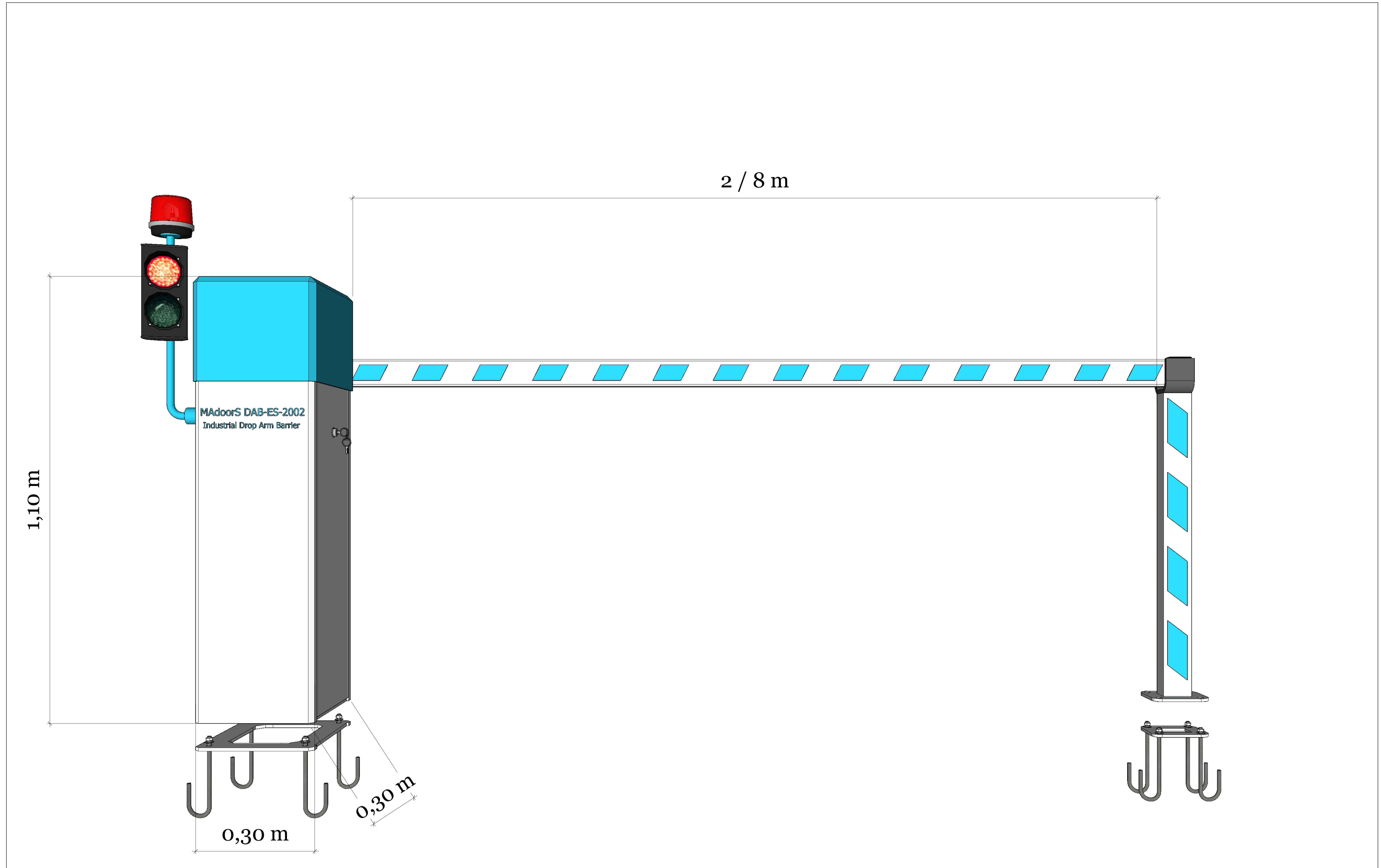
MAdoors offers a selection of 5 barrier types of this series with different effective boom lengths and running times as well as suitable accessories for different purposes, e.g. boom lighting LED, articulation kits and safety devices. Learn more about the safe use of barriers in connection with vehicle and passenger traffic and contact our competent team.

We are happy to support you in planning and implementing projects. Benefit from over 30 years of experience .



Photos





MAdoors-DAB-ES-2002

DIEMENSIONS

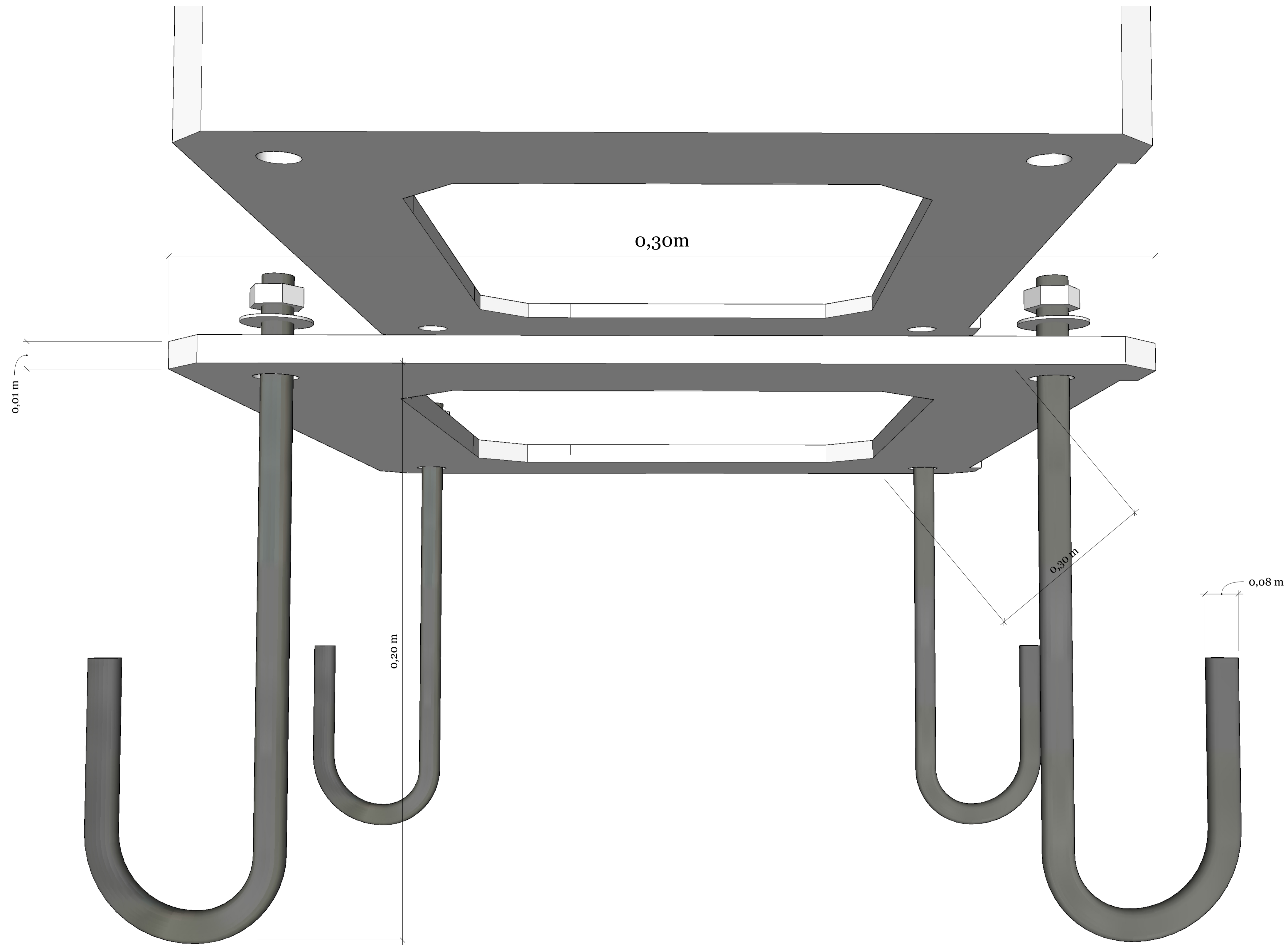
Electro Mechanical Drop Arm Barrier

REVISIONS

MM/DD/YY	REMARKS
1 --/--/--	...
2 --/--/--	...
3 --/--/--	...
4 --/--/--	...
5 --/--/--	...

01

A

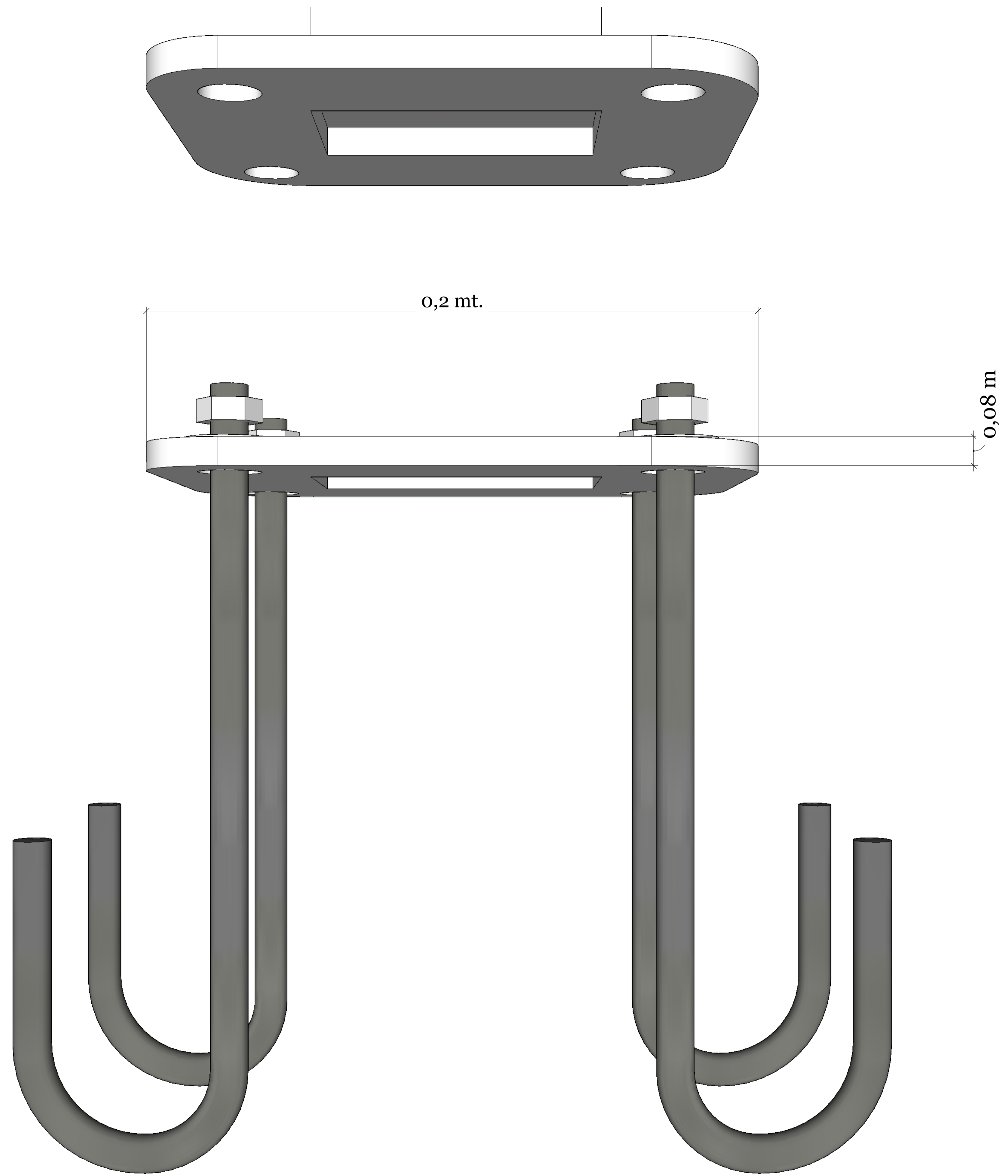


Main Flange Diemensions

Electro Mechanical Drop Arm Barrier

REVISIONS

MM/DD/YY	REMARKS
1 - - / - - / - -	...
2 - - / - - / - -	...
3 - - / - - / - -	...
4 - - / - - / - -	...
5 - - / - - / - -	...



Arm Support Flange Diemesions

Electro Mechanical Drop Arm Barrier

REVISIONS	
MM/DD/YY	REMARKS
1	--/--/-- ...
2	--/--/-- ...
3	--/--/-- ...
4	--/--/-- ...
5	--/--/-- ...

MAdoors Drop Arm Barrier

